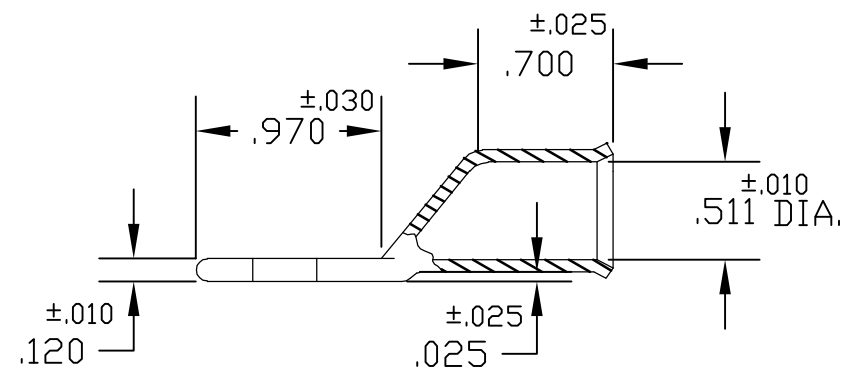
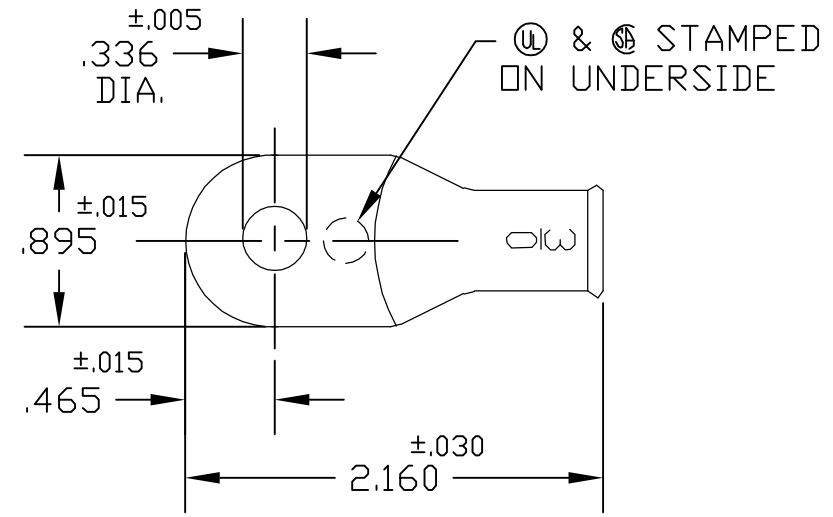


THIS DRAWING IS UNPUBLISHED. RELEASED FOR PUBLICATION
 © COPYRIGHT - BY TYCO ELECTRONICS CORPORATION. ALL RIGHTS RESERVED.

LOC	DIST	REVISIONS					
		P	LTR	DESCRIPTION	DATE	DWN	APVD
G	50		A1	REVISED PER ECR-06-011725	19MAY06	HMR	JR



ACTIVE	30561-01	STANDARD	TIN PLATE	1526799-2
ACTIVE	30561-00	STANDARD	PLAIN	1526799-1
STATUS	AET P/N	PACKAGING	FINISH	PART NUMBER

THIS DRAWING IS A CONTROLLED DOCUMENT.		DWN D.A.A 11/1/00	Tyco Electronics Corporation Harrisburg, PA 17105-3608		
DIMENSIONS: INCHES		CHK H.D.F 11/1/00			
		APVD H.D.F 11/1/00	3/0 STANDARD TERMINAL		
TOLERANCES UNLESS OTHERWISE SPECIFIED:		PRODUCT SPEC	SIZE		
0 PLC ± -	FINISH	APPLICATION SPEC	CAGE CODE	DRAWING NO	RESTRICTED TO
1 PLC ± -		—	A3	00779	—
2 PLC ± -		—	G-1526799		—
3 PLC ± -		—	CUSTOMER DRAWING		—
4 PLC ± -		—	SCALE	SHEET	OF
ANGLES ± -	—	1:1	1	1	A1
MATERIAL COPPER ASTM B-152	—	WEIGHT	—		